

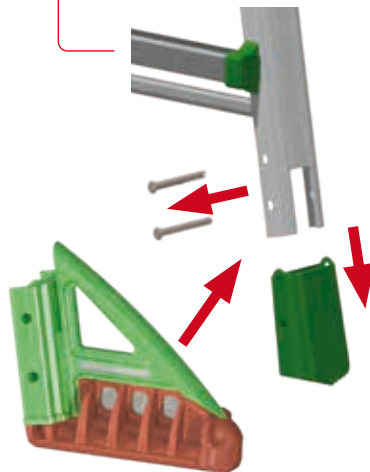
# euro BRIKO 16

- Aluminium die casting hinges equipped with steel blades; they are very strong and they are resistant to the atmospheric agents.
- Rung/stile connection through 6 points of robotized welding.
- Thanks to exclusive manufacturing details, the ladder can reach high extension.

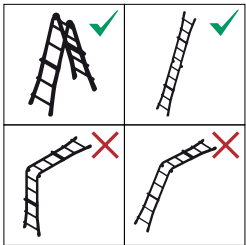


A-frame step position

Four splits on the stiles and four removable feet fixed through the non-metal plugs. Two splits on the same side hold the rapid widening system.



Widening system  
Internazional Patent  
(FACAL project)



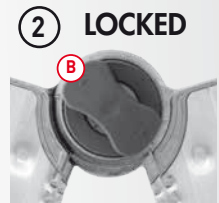
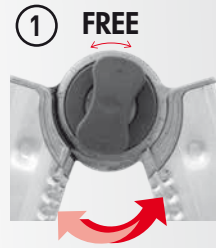
**150**  
kg



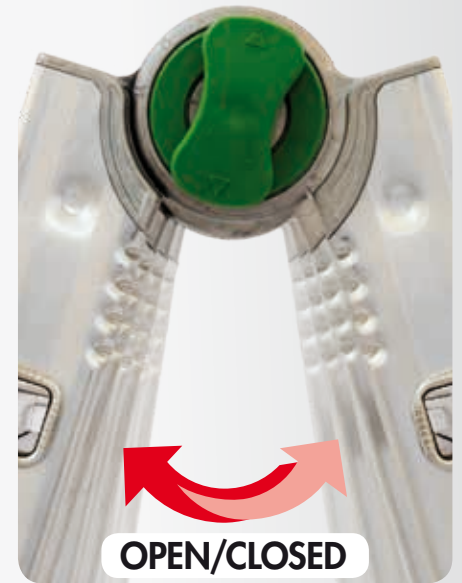
	Code	Rungs number	(cm)	(cm)	(cm)	(cm)	(cm)	(cm)	(cm)	(kg)	(m <sup>3</sup> )	Ean	
<b>EN131-4</b> EUROPEAN NORM 	BK1	3/3	92	288	143	93	380	260	52,00	-	9,50	0,115	8028406002352
	BK/1,5A	3/4	120	344	170	108	435	285	52,00	77,60	11,50	0,150	8028406119494
	BK/2A	4/4	120	400	198	122	490	315	62,00	87,50	13,50	0,180	8028406119500
	BK/3A	4/5	148	456	225	137	550	340	62,00	87,50	14,00	0,220	8028406119517
	BK/4A	5/5	148	512	252	152	605	370	62,00	87,50	15,00	0,220	8028406119524
	BK/5A	6/6	176	570	280	167	660	390	72,00	97,30	17,50	0,305	8028406119531
	BK6*	7/7	204	-	360	209	-	475	82,00	-	19,50	0,401	8028406002635

**IMPORTANT!!!**

2 possible hinge positions:



Multiple working positions among which the "free hinge position": when the ladder is in A-frame position it can be easily opened or closed



\*BK/6: only A-frame step position

*This product is delivered with a PVC wrap film and product leaflet*



**10**-YEAR WARRANTY  
MADE IN ITALY **100%**

**SUPER PRO 600 RANGE**



**EU** **EN131-4**  
EUROPEAN NORM  
USE OF THE WIDENING SYSTEM COMPULSORY IN THIS POSITION

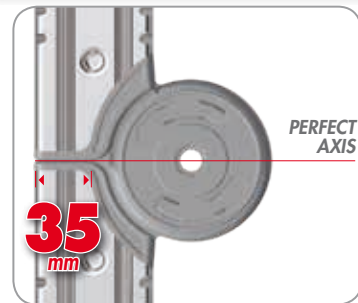


**EU** **EN131-4**  
EUROPEAN NORM

**150**  
kg  
MAX

**81/2008**  
DECRETO LEGISLATIVO

**TÜV** Italia  
Attestation of Conformity  
No.: D 027944 0027



PERFECT AXIS



Steel cores, cast into the joints in a single piece, prevent any possible failure of the aluminum die-casting hinges



**24**  
cm

**ICT** Adopted by **FACAL**  
IMBALLO CHIARO & TRASPARENTE  
It means: Clear and transparent packaging

**IPA** Idrocarburi Policiclici Aromatici  
**NO** Zinco - Cromo - Cadmio  
Plastiche esenti da metalli pesanti  
It means: aromatic polycyclic hydrocarbons plastic parts are heavy metal-free (Zinc, Chrome, and Cadmium)